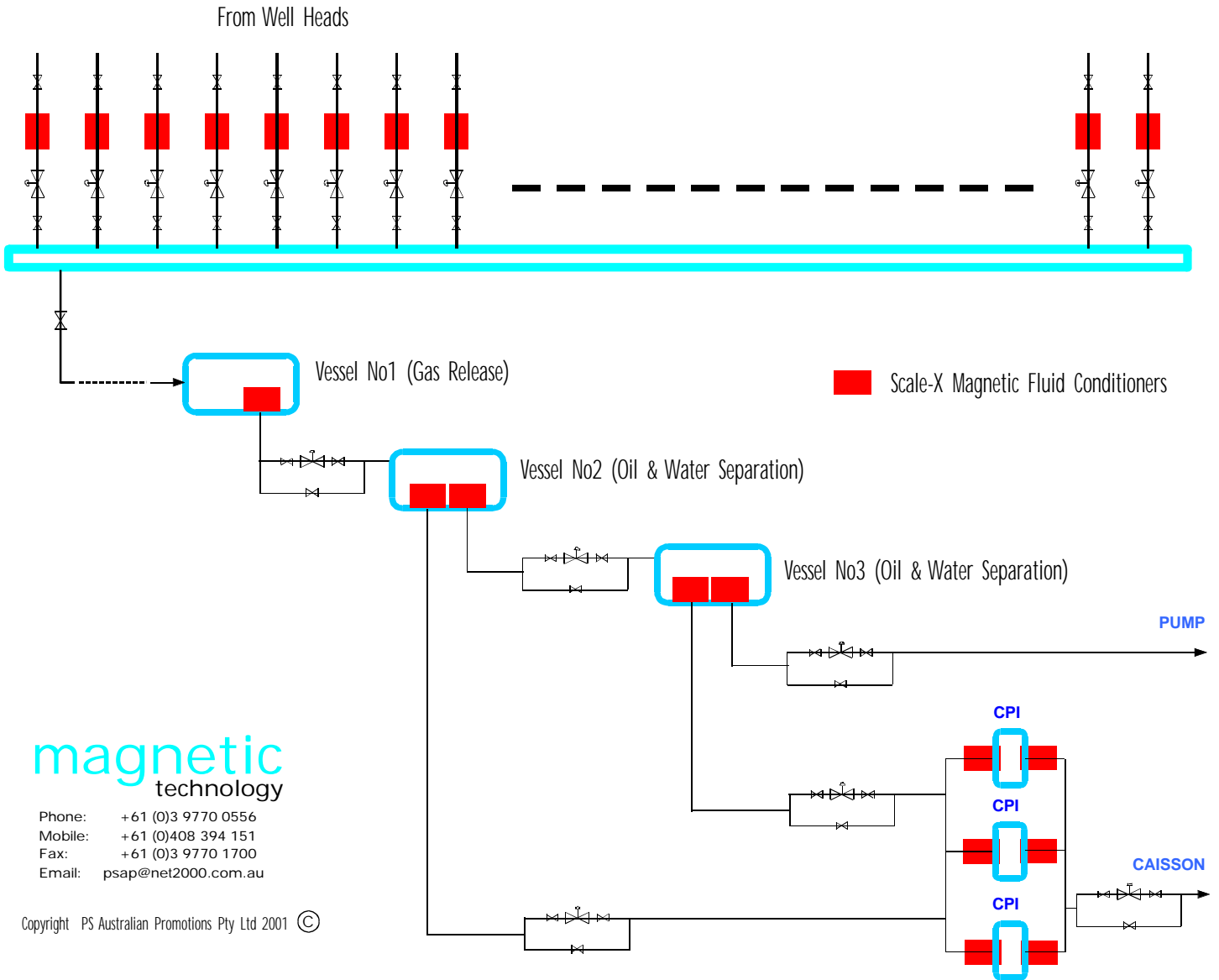


# Typical Offshore Oil Platform Schematic Diagram

## Location of Scale-X Magnetic Fluid Conditioners



magnetic  
technology

Phone: +61 (0)3 9770 0556  
 Mobile: +61 (0)408 394 151  
 Fax: +61 (0)3 9770 1700  
 Email: psap@net2000.com.au

Copyright PS Australian Promotions Pty Ltd 2001 ©